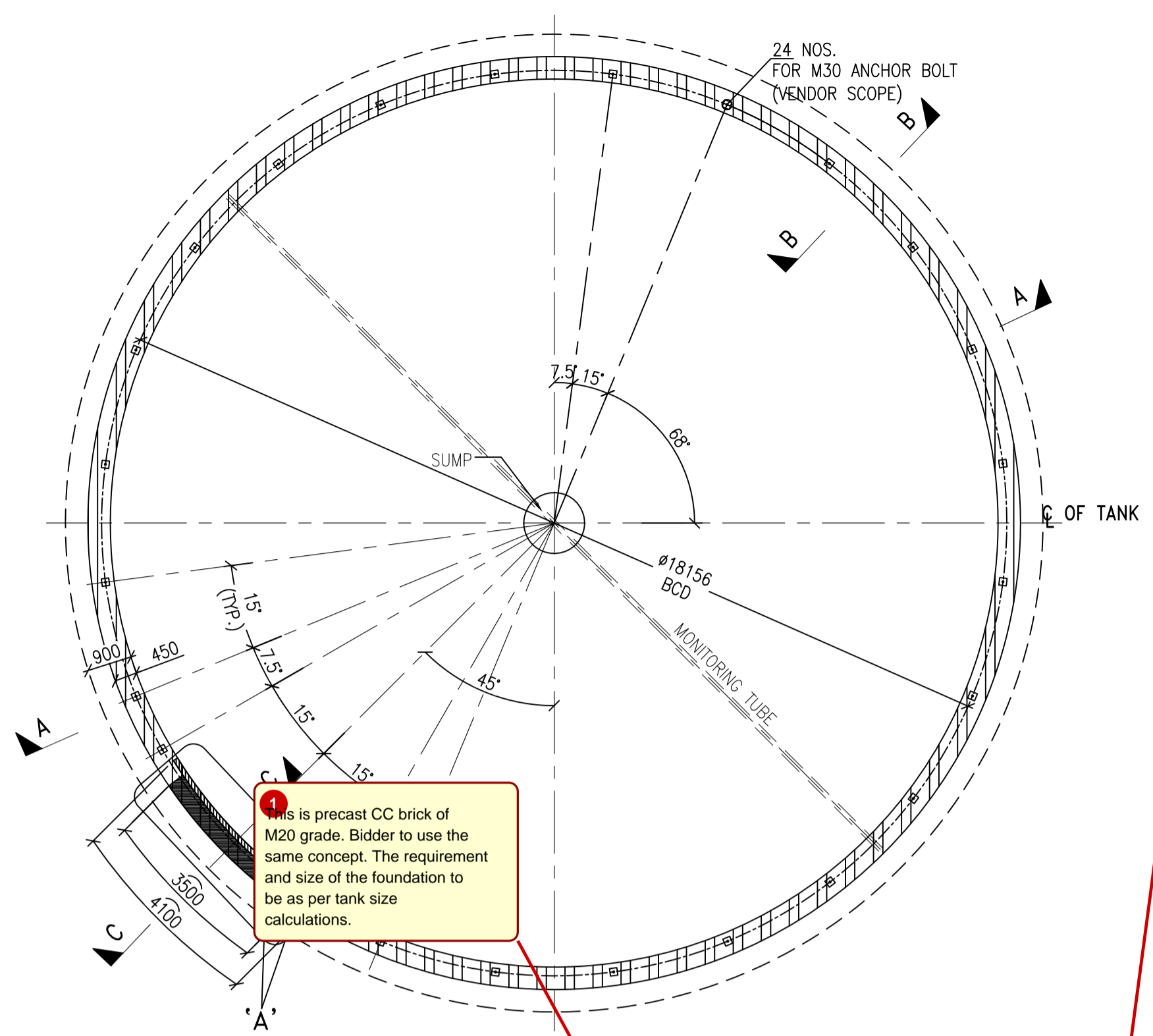


**BOTTOM PLAN OF FOUNDATION FOR STORAGE TANK**  
(SCALE 1:100)



**TOP PLAN OF FOUNDATION FOR STORAGE TANK**  
(SCALE 1:100)

**LEGENDS:**

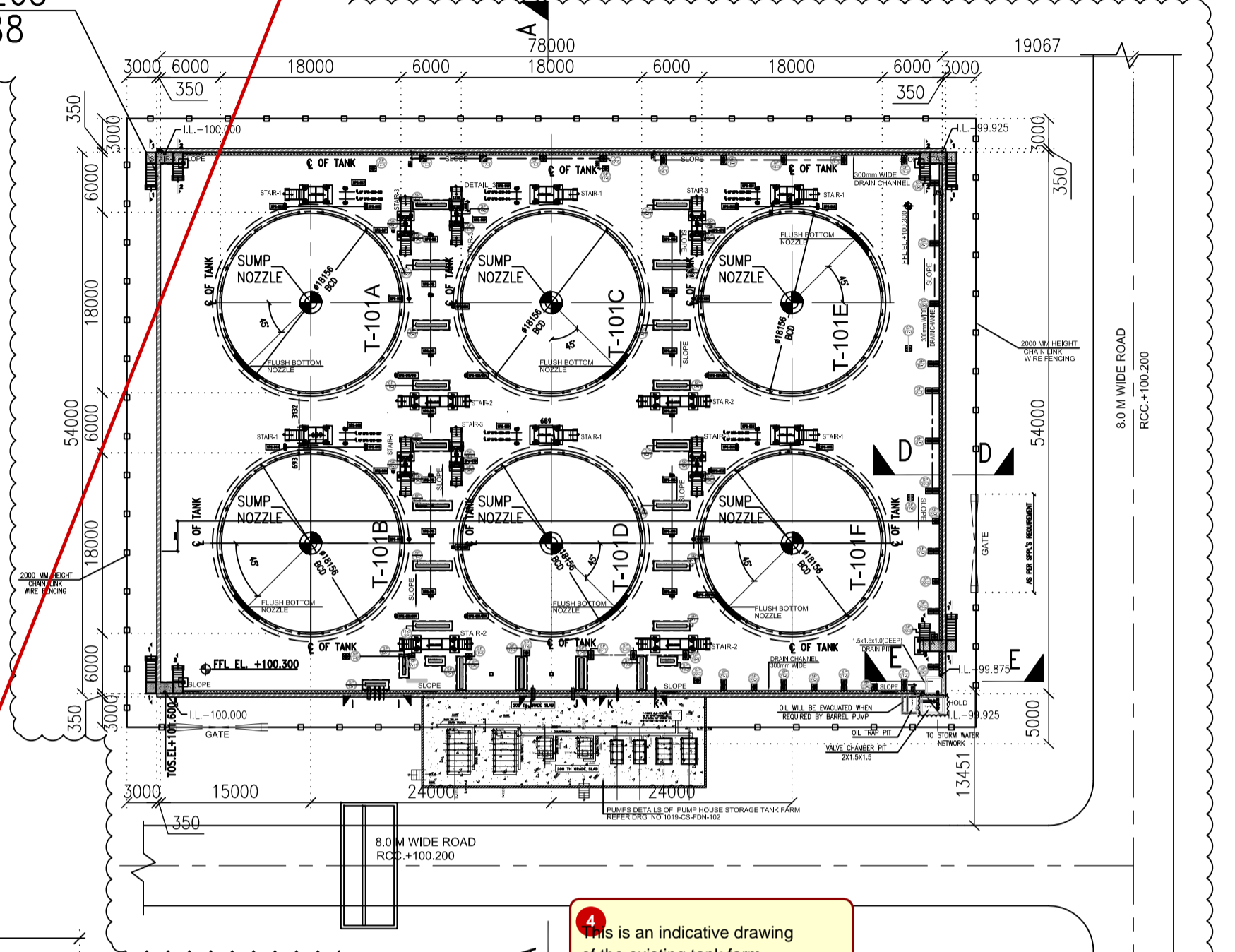
F.G.L :	FINISHED GRADE LEVEL
F.F.L :	FINISHED FLOOR LEVEL
B.O.P :	BOTTOM OF PIPE LEVEL

**REFERENCE DRAWINGS**

DRG. NO.	DESCRIPTION
1019-PI-PPN-001-R16	PLOT PLAN
1019-PI-ELP-101	EQUIPMENT LAYOUT FOR CLASS "C" CRUDE OIL STORAGE TANK FARM
1019-PI-ELP-101	EQUIPMENT LAYOUT FOR CLASS "C" CRUDE OIL STORAGE TANK FARM

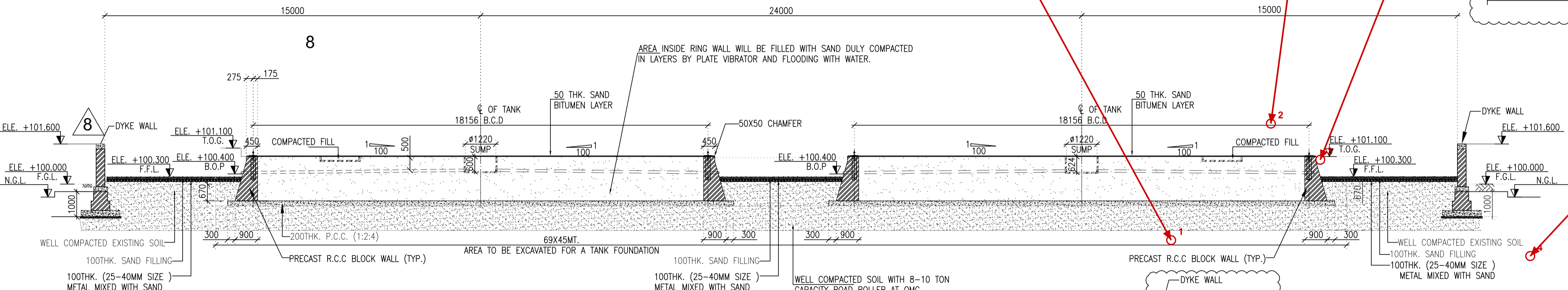
- 3 inch dia PVC pipe weep holes to be placed in CC block masonry as per requirement.
- 2 TANKS SHOULD BE LEFT LOADED FOR 3 WEEKS MINIMUM DURING HYDRO TEST BEFORE PIPING IS CONNECTED.
3. DIMENSION OF BLOCK WALL MAY VARY AS PER AVAILABLE BLOCK SIZE AT SITE, HOWEVER MINIMUM DIMENSION AS MARKED IN THE DRAWING SHALL BE FOLLOWED.

N:512464.5265  
E:101933.688

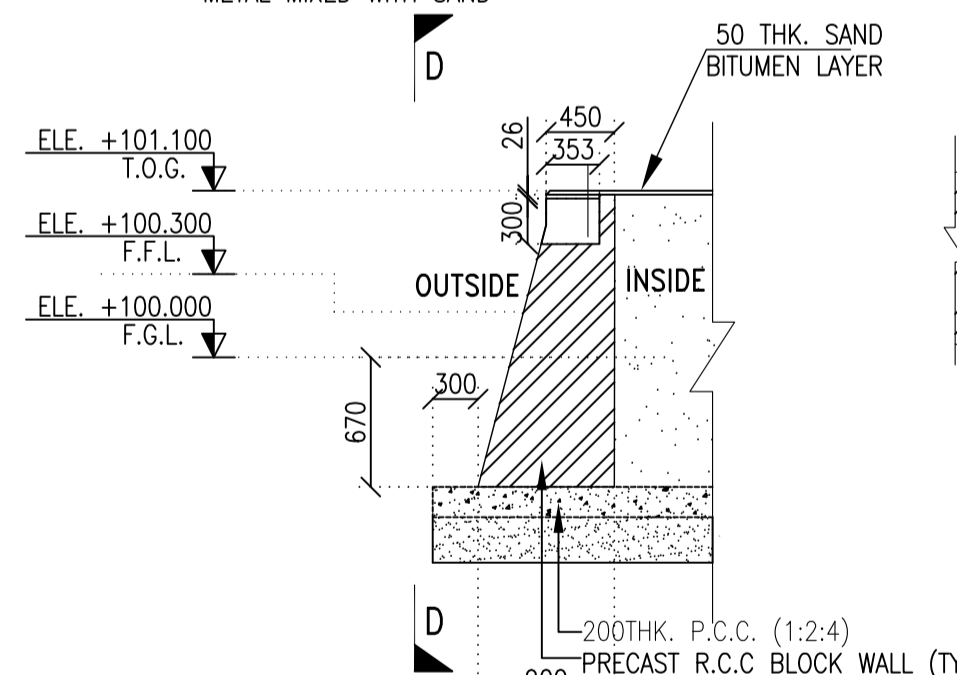


**TANK LOCATION PLAN**

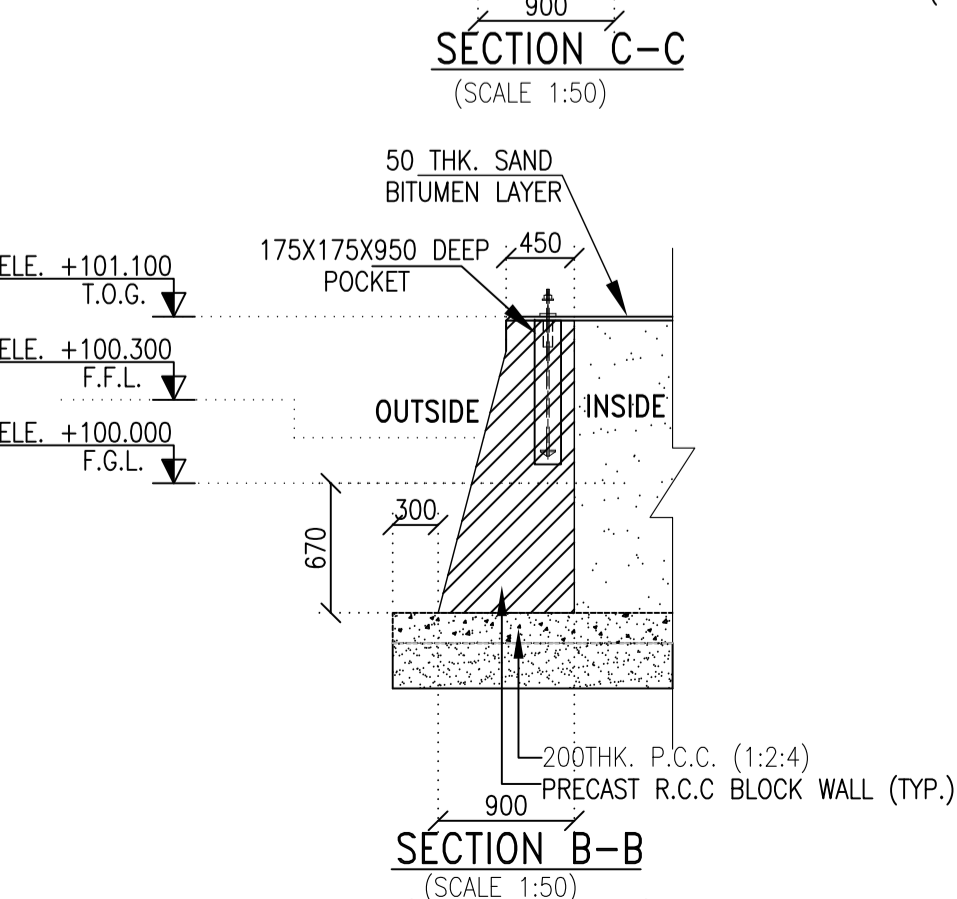
This is an indicative drawing of the existing tank farm foundation (to be used as concept). All the level / dimensions to be firm up during detailed design after award of work.



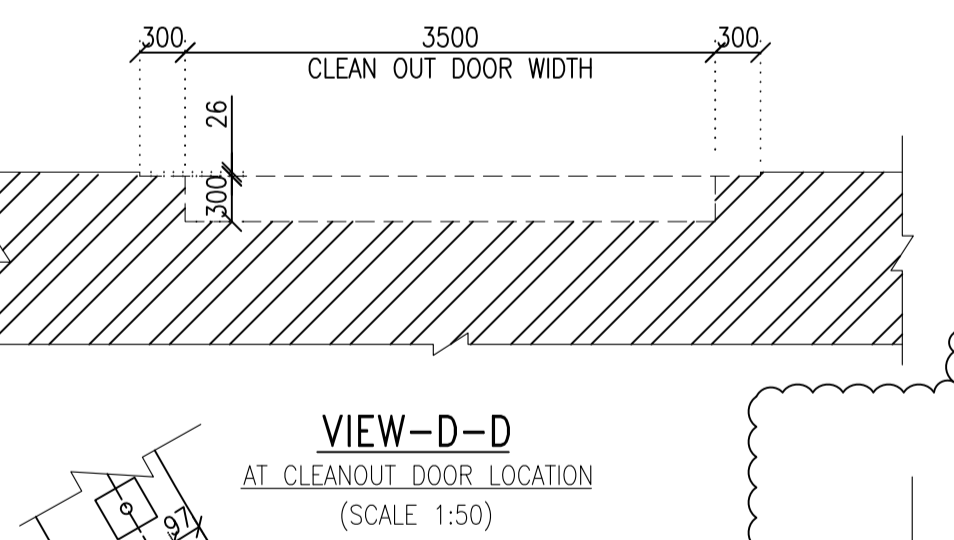
**SECTION A-A**  
(SCALE 1:100)



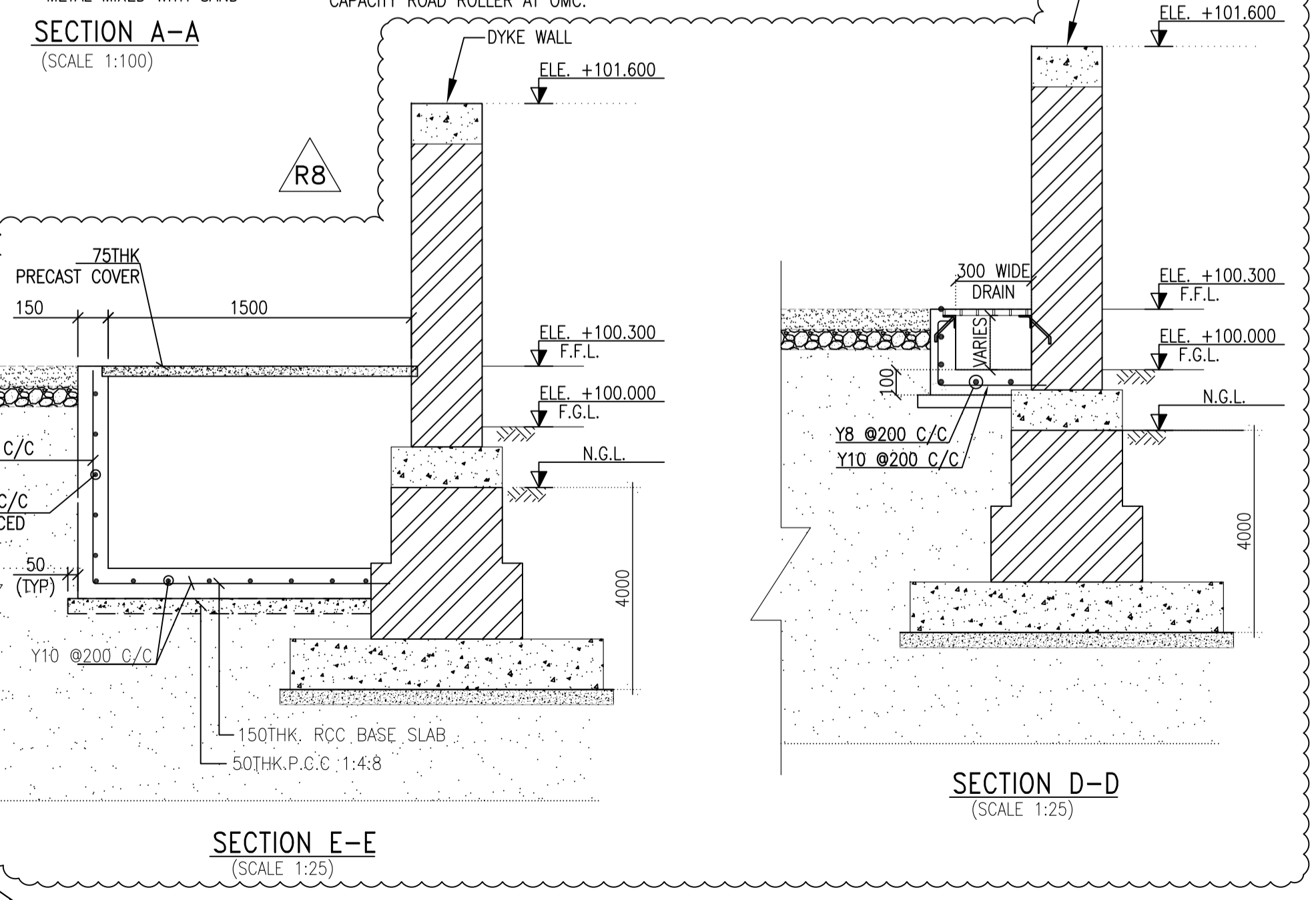
**SECTION B-B**  
(SCALE 1:50)  
(REFER NOTE:-3)



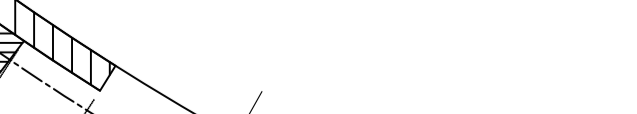
**SECTION C-C**  
(SCALE 1:50)  
(REFER NOTE:-3)



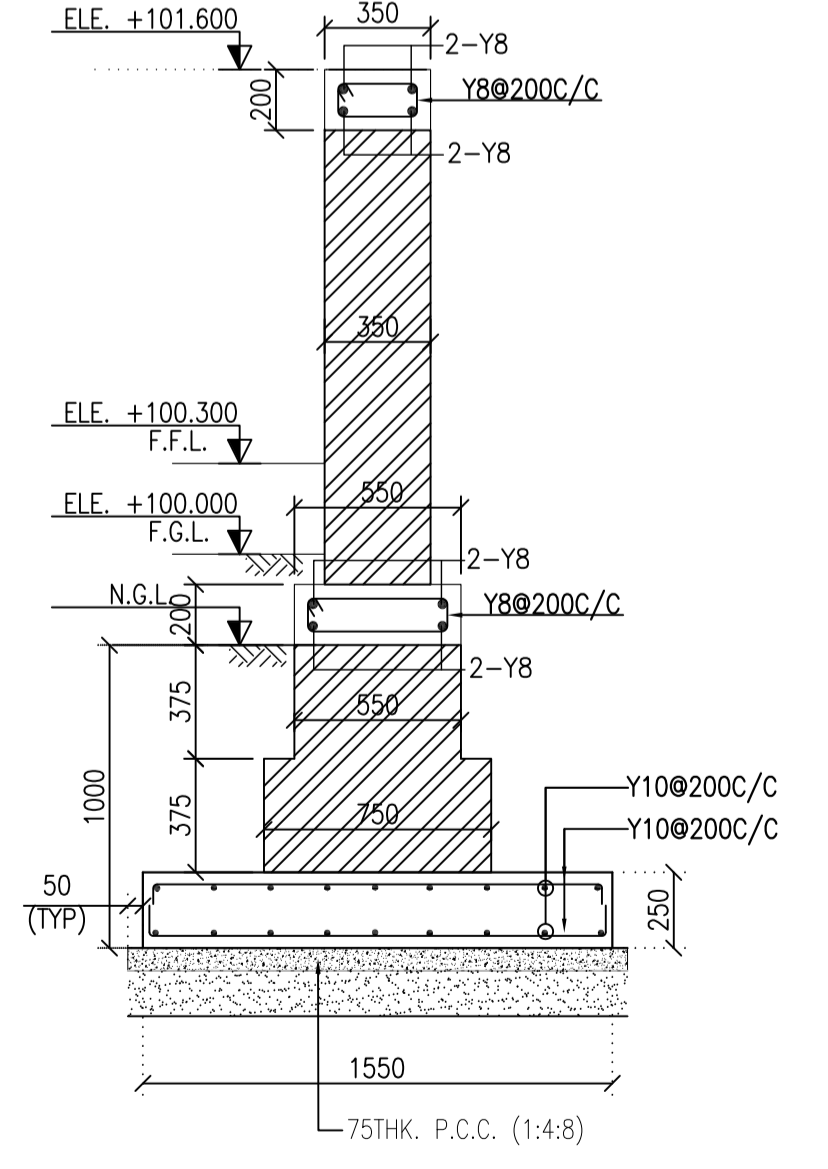
**VIEW-D-D**  
AT CLEANOUT DOOR LOCATION  
(SCALE 1:50)



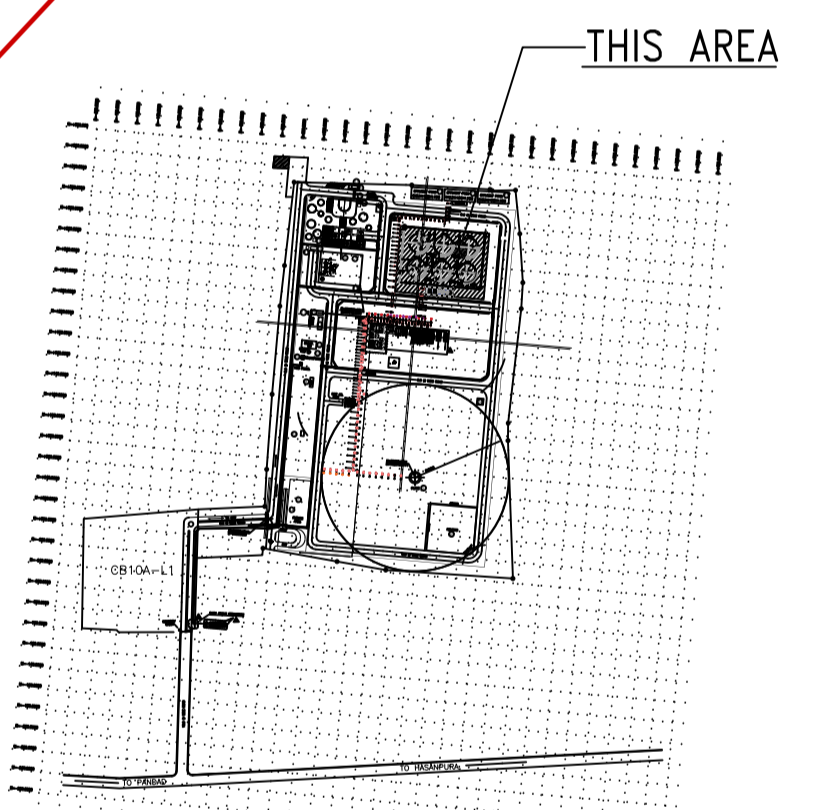
**SECTION D-D**  
(SCALE 1:25)



**SECTION E-E**  
(SCALE 1:25)



**TYPICAL DETAILS OF DYKE WALL**  
SCALE 1:25  
(REFER NOTE:-3)



**KEYPLAN**

REV	DATE	DESCRIPTION	DRAWN	CHKD	REVD	APPD
8	12.01.2020	REVISED AS MARKED & IFC	SNS	JYK	NVB	NVB
7	21.07.2020	REVISED AS MARKED & IFC	SNS	JYK	NVB	NVB
6	23.06.2020	REVISED AS MARKED & IFC	SNS	PCP	NVB	BKJ
5	08.06.2020	REVISED AS MARKED & IFC	SNS	PCP	NVB	BKJ
4	04.06.2020	REVISED AS MARKED & IFC	SNS	PCP	NVB	BKJ
3	25.05.2020	REVISED AS MARKED & IFC	SNS	PCP	NVB	BKJ
2	14.04.2020	REVISED AS MARKED & IFC	SNS	PCP	NVB	BKJ
1	07.01.2020	REVISED AS PER CLIENTS COMMENT & IFC	SNS	PCP	NVB	BKJ
0	03.01.2020	ISSUED FOR APPROVAL	SNS	PCP	NVB	BKJ

**QUANTA PROCESS SOLUTIONS PVT.LTD.**  
www.quantaprocess.com

CLIENT : SUN PETROCHEMICAL PRIVATE LIMITED

PROJECT : BHASKAR FIELD

TITLE : LAYOUT & DETAILS OF STORAGE TANK FOR TANK FARM AREA

SHEET NO.	REV.
A1	1 OF 1

PROJECT NO. 1019  
DRAWING NO. 1019-CS-FDN-101  
SHEET NO. 1 OF 1  
REV. 8

EFFECTIVE DATE: 01/09/2018